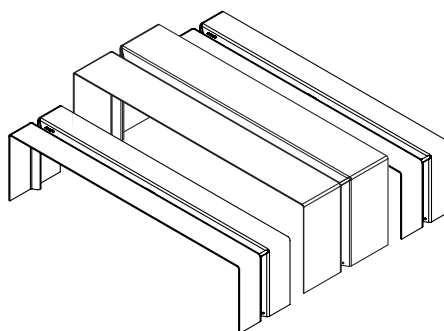




## ANCHORING INSTRUCTIONS

WÜNDER®



## ANCHORING THE BENCH / THE BENDED

### INFORMATION

- This ground anchor can be used for fixing The Bench / The Bended to a solid surface such as concrete or paving.
- The anchor does not preclude theft.

### TOOLS

- Wrench 13 mm
- Wrench 10 mm
- Allen wrench 4 mm
- Pencil
- Stone drill 8 mm
- Hammer

### CONTACT

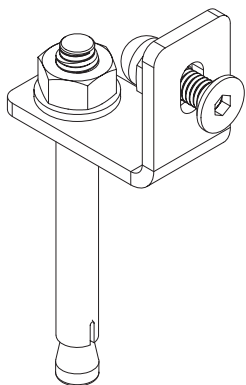
Do you have any questions, comments or suggestions about a product or our website? Do not hesitate to contact us.

Wünder – Ovenhoek 5, 8800 Roeselare, Belgium  
+32 (0) 51 79 17 31 – info@wunder.be



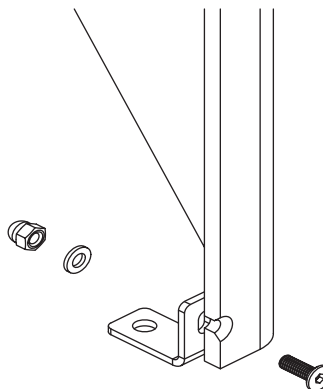
01

- The Bench / The Bended anchoring set



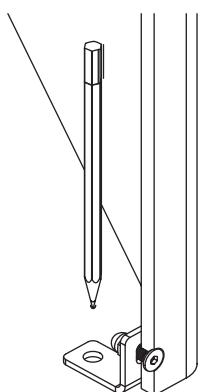
02

- Fix the stainless steel bracket



03

- Mark where the hole should be drilled



04

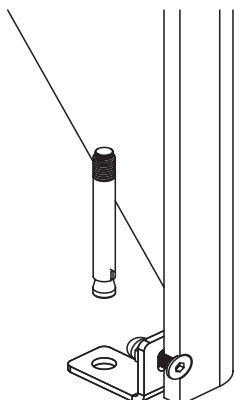
- Drill an 8 mm hole in the solid surface



+

05

- Tap the concrete anchor into the ground with a hammer



06

- Tighten all connectors securely

